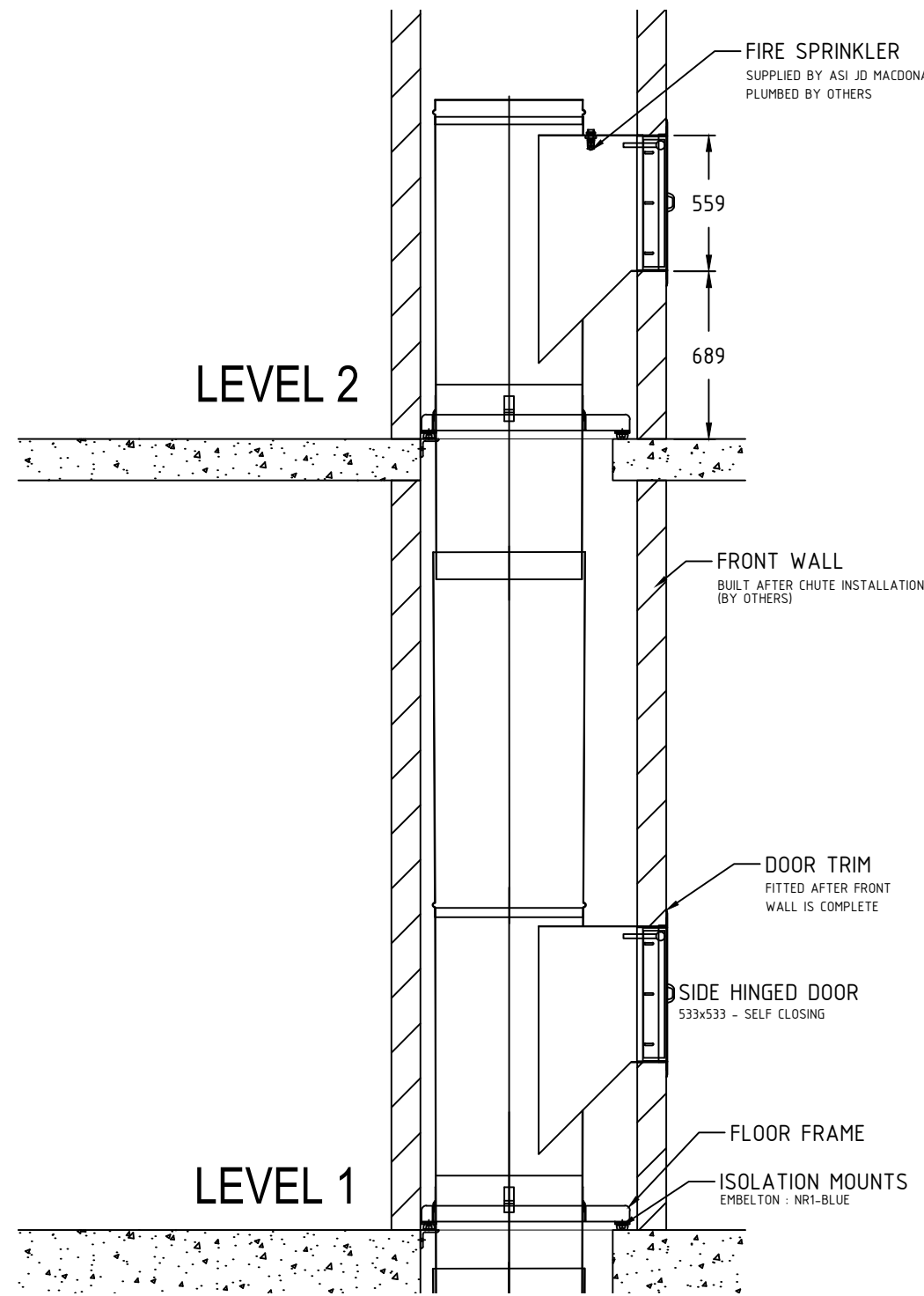


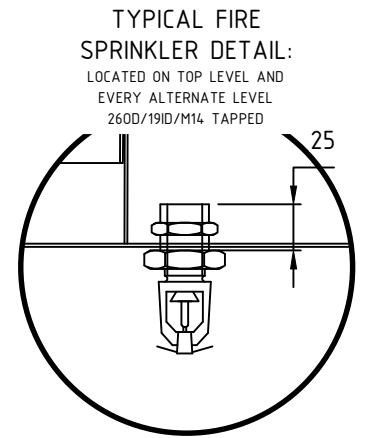
COLLECTION ROOM:
 ROTATED FOR CLARITY
 SEE PLANS FOR ORIENTATION

ISSUE	DATE	DESIGN NOTES	DRAWN	CHECKED
E	21/06/2017	CHANGE A-TYPE TO D TYPE DISCHARGE	ERIC	RONAK
D	07/06/2017	ORIENTATION OF A-TYPE DOOR	RONAK	
C	01/06/2017	ORIENTATION OF INTAKE DOOR , A-TYPE DOOR	RONAK	
B	29/05/2017	A-TYPE DISCHARGE	RONAK	
A	23/05/2017	INITIAL ISSUE	RONAK	
		DESIGN NOTES		

REVISION TABLE



TYPICAL LEVEL DETAIL:



Unit 18/390 Marion Street Condell Park 2200 NSW

REMOVE ALL BURRS, SHARP EDGES AND PROCESSING RESIDUE. DO NOT SCALE - IF IN DOUBT, ASK. ALL DIMENSIONS IN MILLIMETRES. IT IS AN INFRINGEMENT OF THE COMPANY'S COPYRIGHT IN THIS DRAWING AND DESIGN TO COPY OR COMMUNICATE ITS CONTENTS TO ANY THIRD PARTY WITHOUT WRITTEN CONSENT OF WASTEMAN SERVICING

TOLERANCES UNLESS OTHERWISE SPECIFIED:
 UP TO 10 ±0.25
 OVER 10 UP TO 100 ±0.5
 OVER 100 ±1
 ALL ANGLES ±1°
 MATERIAL: N/A
 FINISH: N/A

DESIGNED: RONAK
 DRAWN: RONAK
 CHECKED: SS
 DATE: 23/Jun/2017
 AREA: N/A
 MASS: N/A

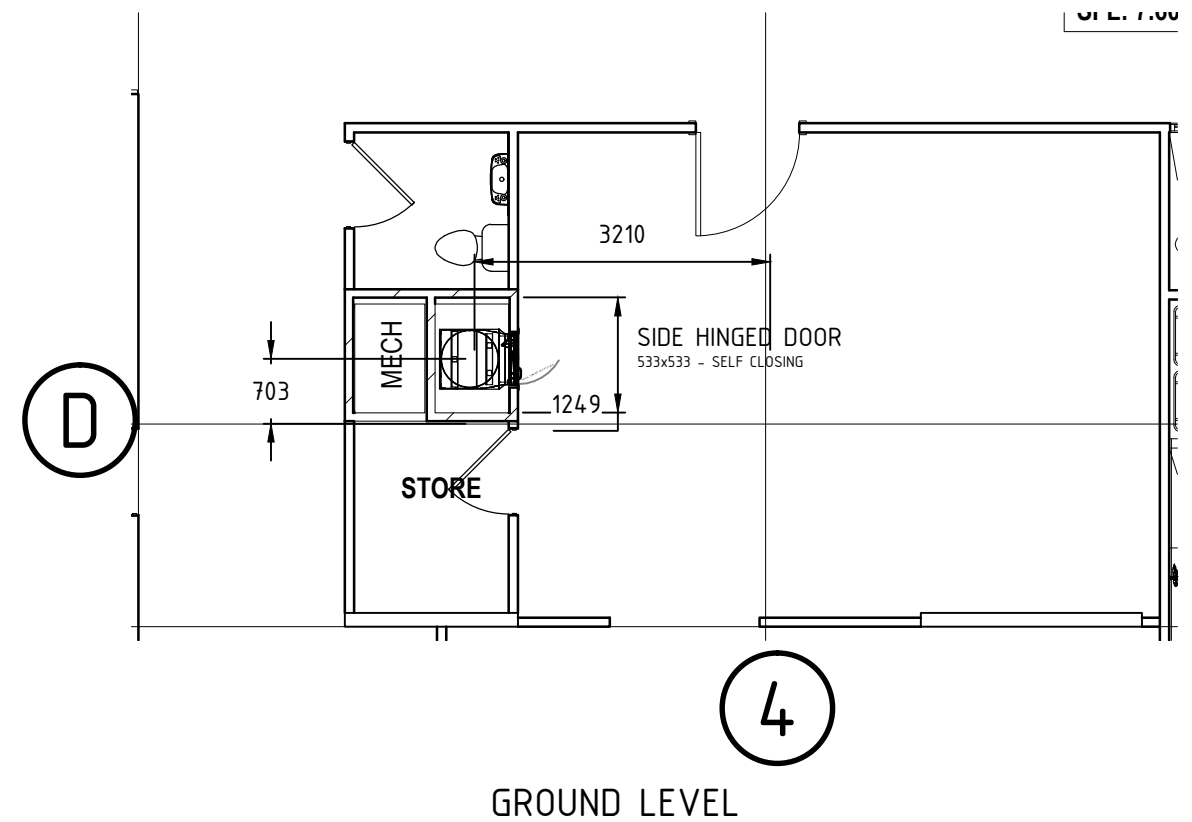
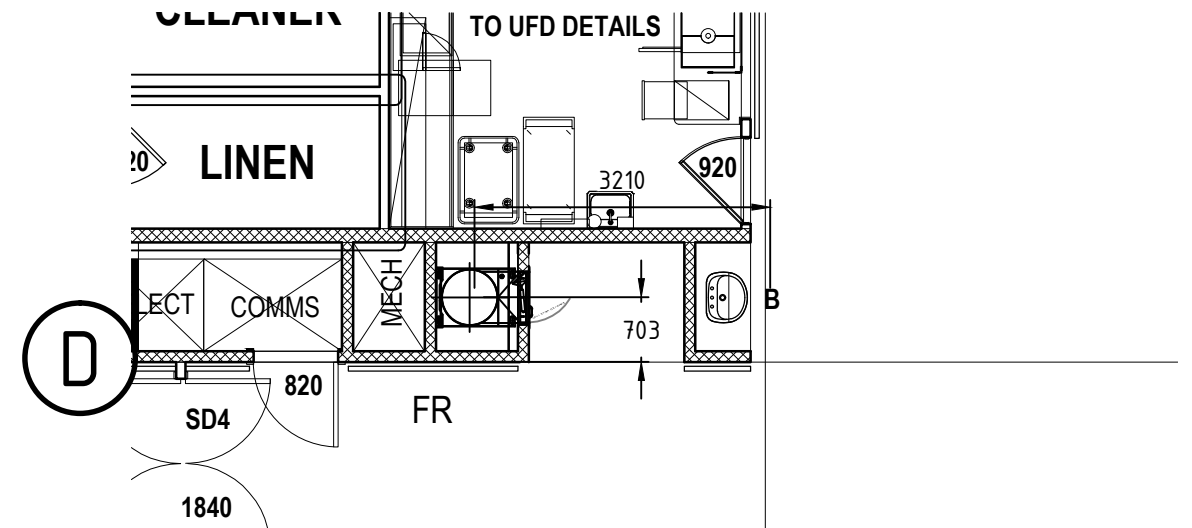
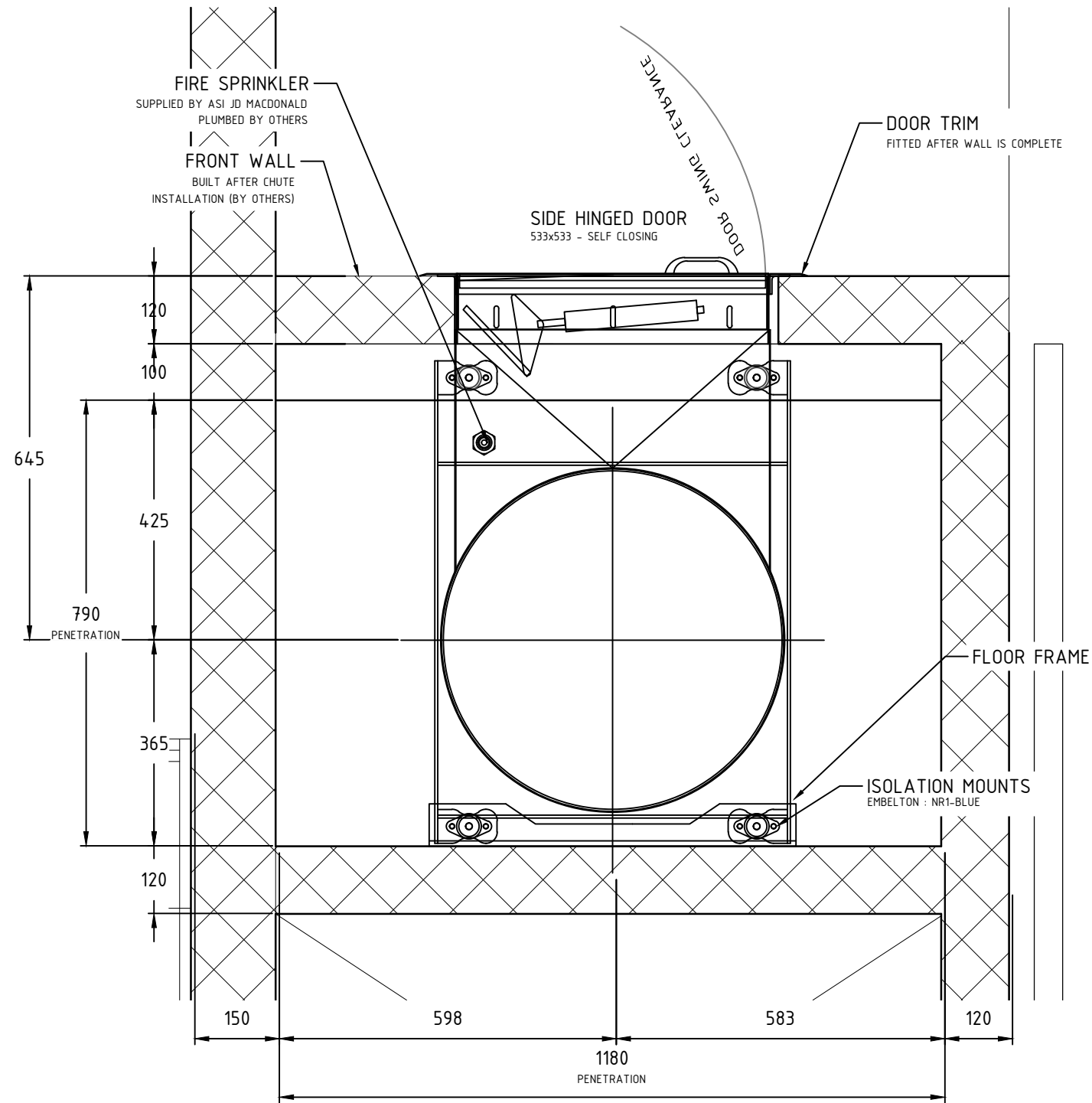
TITLE: KOGARAH ACF
 CNR HOLLAND RD & GLENHAVEN RD, GLENHAVEN NSW 2156
 LINEN CHUTE ELEVATION
 SCALE: NTS
 DRG. NO: JDM001362-CH2334
 SHEET: 01 OF 02
 A3

CHUTE DETAILS

DIAMETER: 610mm NOMINAL
 MATERIAL: SS
 INTAKE: TWO (2) 457mm X 457mm SIDE HINGED SELF CLOSING STAINLESS STEEL DOORS, FIRE RATED TO 90 MINUTES COMES WITH TRIMS EMBOSSED "LINEN"
 CHUTE SUPPORTS: 5MM THICK MS DESIGNED FLOOR FRAMES AT EACH LEVEL FITTED WITH VIBRATION MOUNTS
 DISCHARGE: 'D' TYPE DISCHARGE
 FIRE SPRINKLER: FIRE SPRINKLERS SUPPLIED INSIDE CHUTE ON TOP FLOOR AND EVERY ALTERNATE FLOOR

NOTES

- BUILDER SHALL COMPLETE WALLS AROUND CHUTE INTAKES ONLY AFTER CHUTE HAS BEEN COMPLETELY INSTALLED
- CHUTE INTAKE DOORS SHALL BE SET SQUARE AND PLUMB BY ASI JD MACDONALD ON INSTALLATION. IT IS THEN THE BUILDERS RESPONSIBILITY TO ENSURE DOORS ARE BRICKED SQUARE, PLUMB AND FLUSH TO THE FINISHED WALL FACE
- FIRE SPRINKLER CONTRACTOR SHALL MAKE PROVISION FOR CONNECTION OF SPRINKLER HEADS



ISSUE	DATE	DESIGN NOTES	DRAWN	CHECKED
E	21/06/2017	CHANGE A-TYPE TO D TYPE DISCHARGE	ERIC	RONAK
D	07/06/2017	ORIENTATION OF A-TYPE DOOR	RONAK	
C	01/06/2017	ORIENTATION OF INTAKE DOOR , A-TYPE DOOR	RONAK	
B	29/05/2017	A-TYPE DISCHARGE	RONAK	
A	23/05/2017	INITIAL ISSUE	RONAK	
		DESIGN NOTES		

REVISION TABLE



REMOVE ALL BURRS, SHARP EDGES AND PROCESSING RESIDUE. DO NOT SCALE - IF IN DOUBT, ASK. ALL DIMENSIONS IN MILLIMETRES

IT IS AN INFRINGEMENT OF THE COMPANY'S COPYRIGHT IN THIS DRAWING AND DESIGN TO COPY OR COMMUNICATE ITS CONTENTS TO ANY THIRD PARTY WITHOUT WRITTEN CONSENT OF WASTEMAN SERVICING

TOLERANCES UNLESS OTHERWISE SPECIFIED:
 UP TO 10 ±0.25
 OVER 10 UP TO 100 ±0.5
 OVER 100 ±1
 ALL ANGLES ±1°

MATERIAL: N/A
 FINISH: N/A

DESIGNED: RONAK
 DRAWN: RONAK
 CHECKED: SS
 DATE: 23/Jun/2017
 AREA: N/A
 MASS: N/A

TITLE: KOGARAH ACF
 CNR HOLLAND RD & GLENHAVEN RD, GLENHAVEN NSW 2156
 LINEN CHUTE
 LOWER FLOOR PLANS

SCALE: DRG. NO. NTS
 DRG. NO. JDM001362-CH2334
 SHEET: 02 OF 02
 A3