

ISSUE	DATE	DESIGN NOTES	DRAWN	CHECKED
A	02/09/2015	INITIAL ISSUE		
REVISION TABLE				

W WASTEMAN SERVICING & CHUTES
 Unit 18/390 Marion Street Condell Park 2200 NSW

REMOVE ALL BURRS, SHARP EDGES AND PROCESSING RESIDUE. DO NOT SCALE - IF IN DOUBT, ASK. ALL DIMENSIONS IN MILLIMETRES

IT IS AN INFRINGEMENT OF THE COMPANY'S COPYRIGHT IN THIS DRAWING AND DESIGN TO COPY OR COMMUNICATE ITS CONTENTS TO ANY THIRD PARTY WITHOUT WRITTEN CONSENT OF WASTEMAN SERVICING

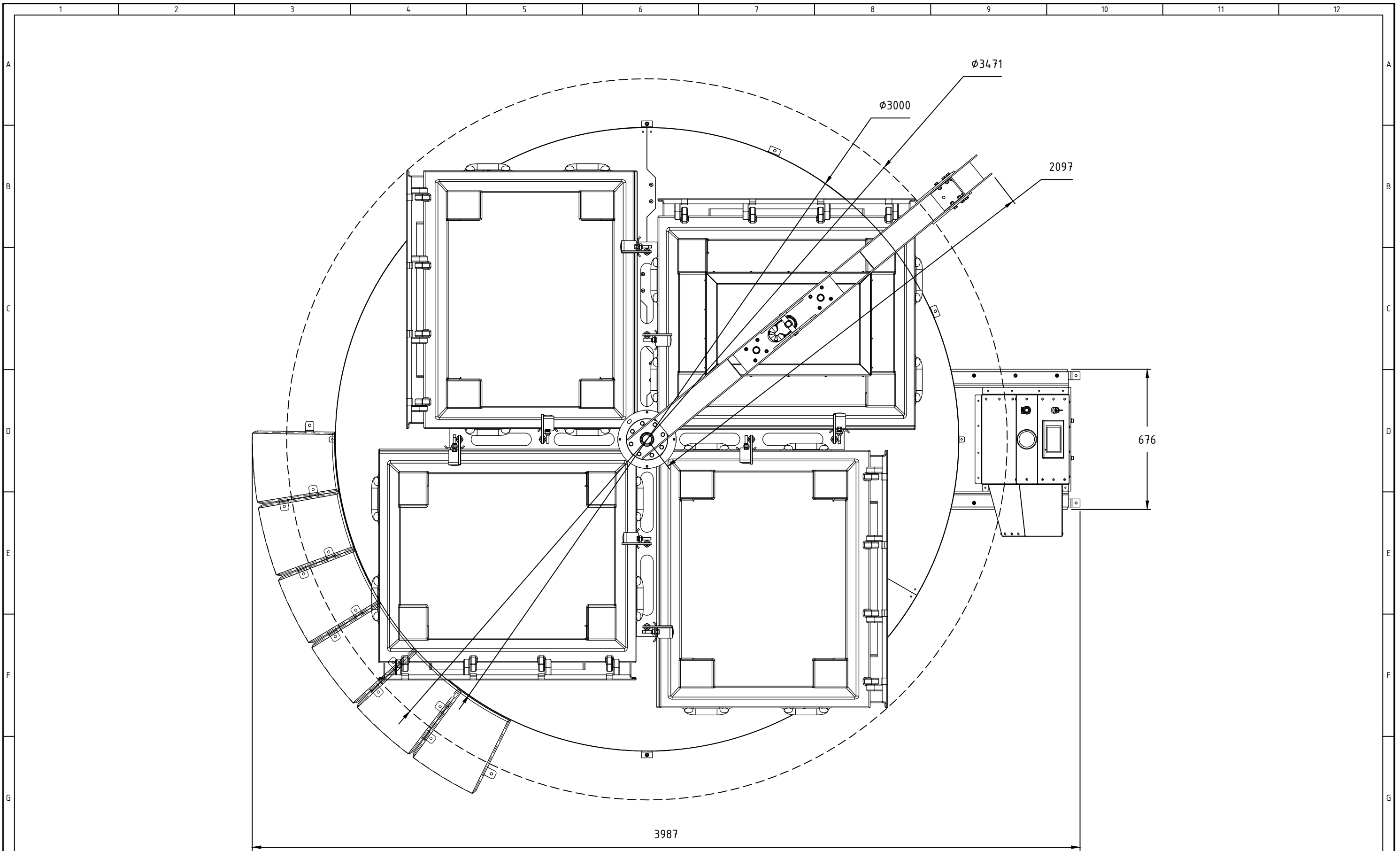
TOLERANCES UNLESS OTHERWISE SPECIFIED:
 UP TO 10 ±0.25
 OVER 10 UP TO 100 ±0.5
 OVER 100 ±1
 ALL ANGLES ±1°

MATERIAL: N/A
 FINISH: N/A

DESIGNED: RONAK
 DRAWN: RONAK
 CHECKED: SS
 DATE: 02/Sep/2015
 AREA: N/A
 MASS: N/A

TITLE: **RB-A-6000**
 ROTOBIN 4400 CAROUSEL WITH 2:1 ELEVATION WITH COMPACTOR

SCALE: DRG. NO.: NTS RB-A-6000 SHEET: 01 OF ## **A3**



ISSUE	DATE	DESIGN NOTES	DRAWN	CHECKED
A	02/09/2015	INITIAL ISSUE		
REVISION TABLE				


**WASTEMAN
SERVICING
& CHUTES**
 Unit 18/390 Marion Street Condell Park 2200 NSW

REMOVE ALL BURRS, SHARP EDGES AND PROCESSING RESIDUE. DO NOT SCALE - IF IN DOUBT, ASK. ALL DIMENSIONS IN MILLIMETRES.
 IT IS AN INFRINGEMENT OF THE COMPANY'S COPYRIGHT IN THIS DRAWING AND DESIGN TO COPY OR COMMUNICATE ITS CONTENTS TO ANY THIRD PARTY WITHOUT WRITTEN CONSENT OF WASTEMAN SERVICING

TOLERANCES UNLESS OTHERWISE SPECIFIED:
 UP TO 10 ±0.25
 OVER 10 UP TO 100 ±0.5
 OVER 100 ±1
 ALL ANGLES ±1°
 MATERIAL: N/A
 FINISH: N/A

DESIGNED: RONAK
 DRAWN: RONAK
 CHECKED: SS
 DATE: 02/Sep/2015
 AREA: N/A
 MASS: N/A

TITLE: **RB-A-6000**
 ROTOBIN 4400 CAROUSEL WITH 2:1
 PLAN
 WITH COMPACTOR
 SCALE: NTS
 DRG. NO: RB-A-6000
 SHEET: 01 OF ##
A3