

1 2 3 4 5 6 7 8 9 10 11 12

A

B

C

D

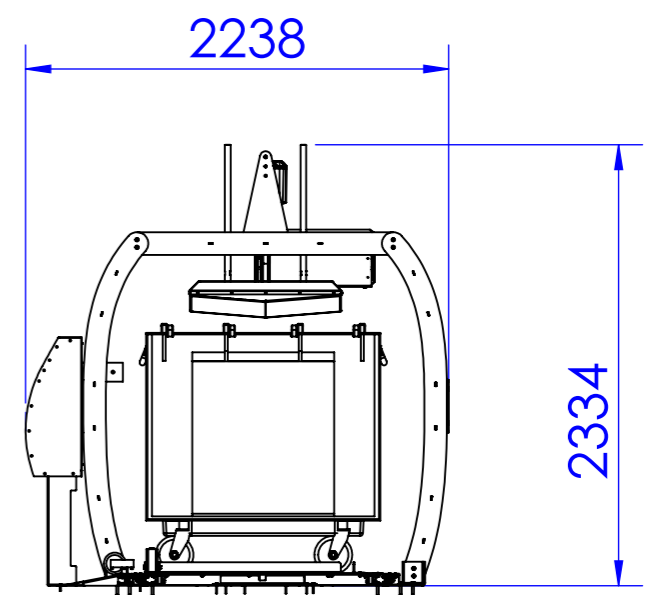
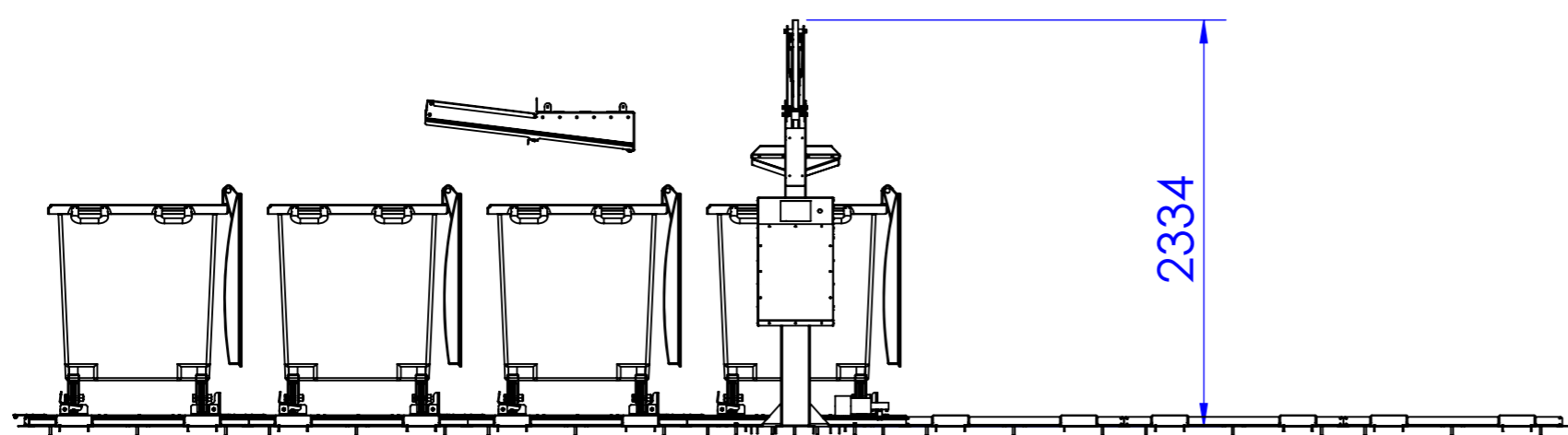
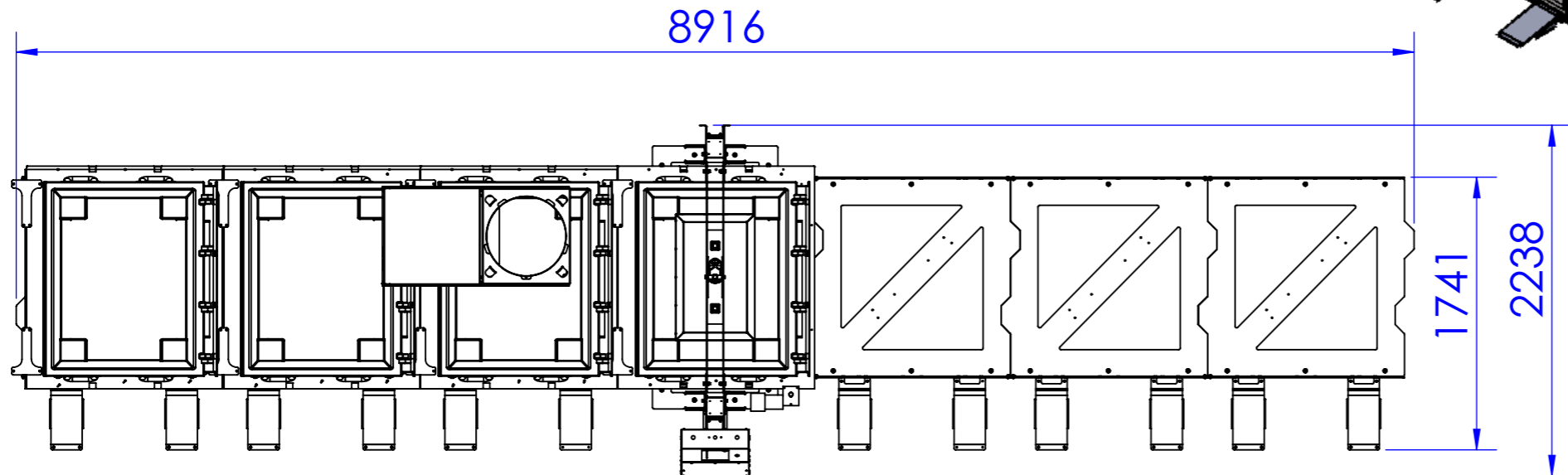
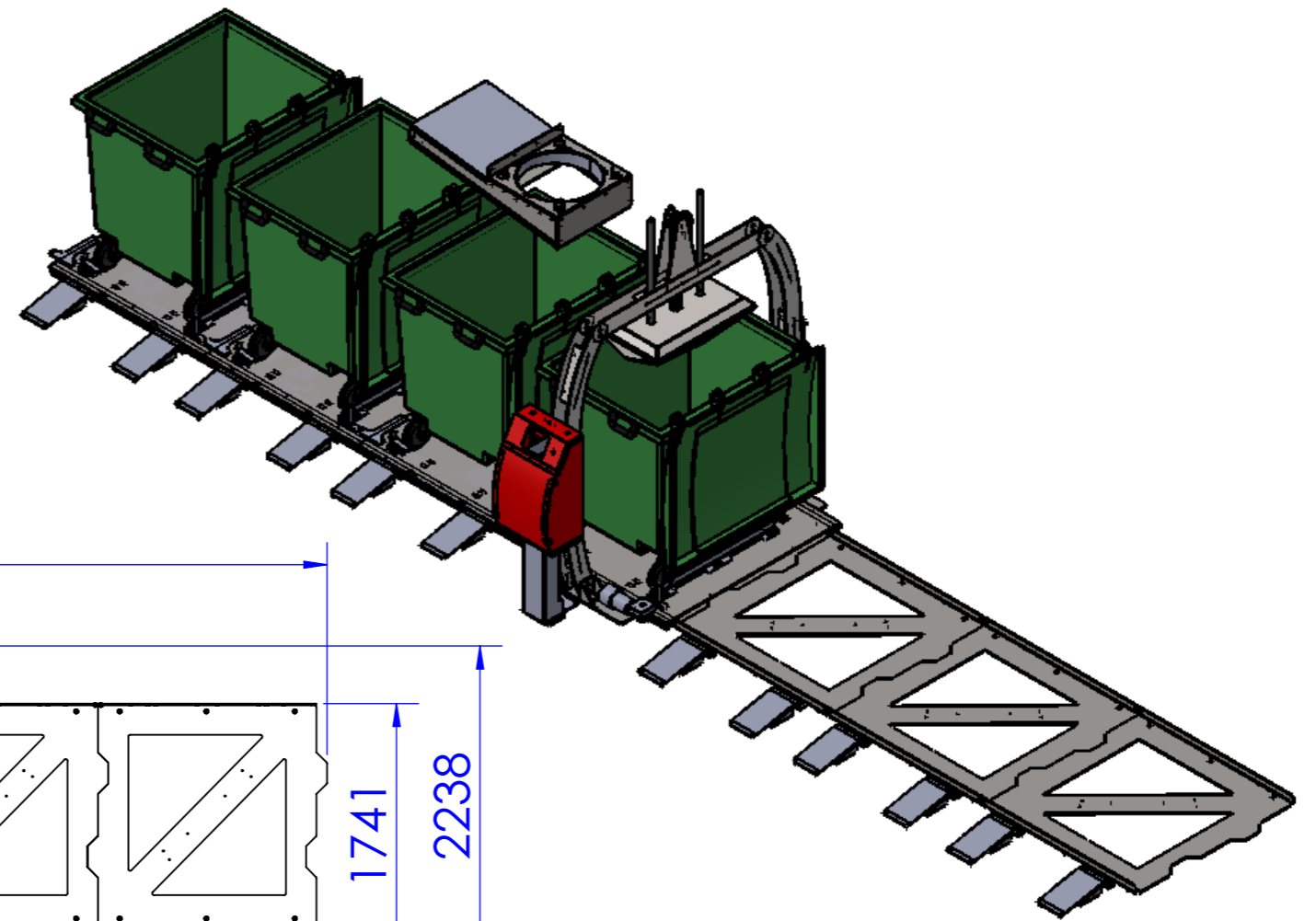
E


F

G

H

I



 <p><b>WASTEMAN SERVICING &amp; CHUTES</b> Unit 18/390 Marion Street Condell Park 2200 NSW</p>	<p>REMOVE ALL BURRS, SHARP EDGES AND PROCESSING RESIDUE. DO NOT SCALE - IF IN DOUBT ASK ALL DIMENSIONS IN MILLIMETRES</p>	<p>TOLERANCES UNLESS OTHERWISE SPECIFIED: UP TO 10 ±0.5 OVER 10 UP TO 100 ±1 OVER 100 ±1 ALL ANGLES ±1°</p>	<p>DRAWN BY: _____ CHECKED BY: _____ APPROVED BY: _____ FABRICATED BY: _____</p>	<p>TITLE: <b>1100L Bin-Linear System</b></p>		
	<p>IT IS AN INFRINGEMENT OF THE COMPANY'S COPYRIGHT IN THIS DRAWINGS OF DESIGN TO COPY OR COMMUNICATE ITS CONTENT TO ANY THIRD PARTY WITHOUT WRITTEN CONSENT OF WASTEMAN SERVICING</p>	<p>MATERIAL: _____ FINISH: _____</p>	<p>VOLUME: N/A WEIGHT: B</p>	<p>SCALE: _____ DRAWING NO: <b>JDM-CHA-3002</b></p>	<p>SHEET: 1 OF 1</p>	<p>A3</p>

1 2 3 4 5 6 7 8 9 10 11 12